



**BEST OF CLASS**

*This is a two or three axis version of the rugged, high accuracy LCF Series. It is available with a wide range of options including single ended input power, internal temperature sensor and 4-20mA output*

**LCF 2000/3000 Inclinometer Specifications**

**Performance**

Input Range, °:	±1.0	±14.5	±30.0	±90.0
Full Range Output (FRO), VDC ±1% <sup>1</sup> :	±5.0	±5.0	±5.0	±5.0
Nonlinearity, % FRO <sup>2</sup> , maximum:	0.05	0.02	0.02	0.10
Scale Factor, volts/g nominal:	286.5	20.0	10.0	5.0
Scale Factor Temp Sensitivity, PPM/°C, maximum:	200	100	100	100
Natural Frequency, Hz, nominal <sup>3</sup> :	3.0	30.0	30.0	30.0
Bandwidth (-3db), Hz, nominal:	3.0	30.0	30.0	30.0
Input-Axis Misalignment, °, maximum:	0.25	0.50	1.00	1.00
Bias Volts, maximum:	0.75	0.075	0.050	0.050
0° Output Temp Sensitivity, volts/°C, maximum:	0.015	0.001	0.0005	0.0003
Resolution and Threshold:	1µradian			

**Electrical**

Input Voltage, VDC <sup>4</sup> :	±12 to ±18		
Input Current, mA, nominal:	Model 2000 - 30	Model 3000 - 45	
Output Impedance, ohms, nominal:	100		
Noise, mV rms, maximum:	0.002		

**Environmental**

Operating Temp Range:	-40° C to +80° C
Survival Temp Range:	-60° C to +90° C
Vibration:	20 grms
Shock:	1000 g, 0.001 sec
Seal:	MIL-STD 202, Method 112
Weight:	16.0 oz.

<sup>1</sup> Full Range is defined "from negative full input angle to positive full input angle."

<sup>2</sup> Nonlinearity is specified as deviation of output referenced to theoretical sine function value, independent of misalignment.

<sup>3</sup> Output Phase angle = -90°.

<sup>4</sup> Unit Power connections can be easily adapted for operations from single-ended, floating power supplies of 24 to 36 Volts DC.

**Applications**

- ▶ **Antenna Leveling**
- ▶ **Weapons Platforms**
- ▶ **Barge & Offshore Platform Leveling & Control**
- ▶ **Torpedo Attitude Control**

Supplied in partnership with Jewell Instruments



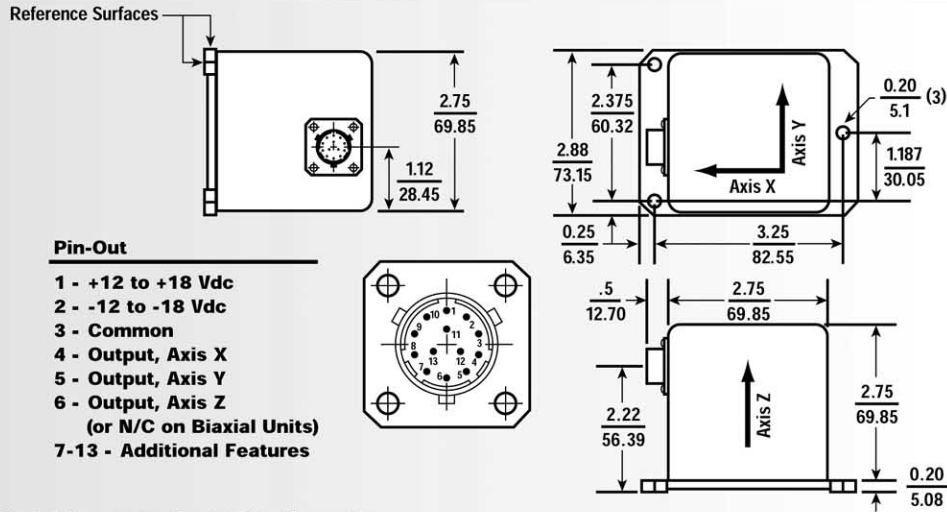
**Polaron Components Limited**

26 Greenhill Crescent, Watford Business Park, Watford, Herts, WD18 8XG. UK

Tel: +44 (0)1923 495401. Fax: +44 (0)1923 495416. E-mail: components@polaron.co.uk Web: www.polaron.co.uk

BS EN ISO 9001 : 2000 - ISO Number FM 70209

## Dimensional Drawing for the LCF Inclinometer (inch/mm)



## Block Diagram for the LCF Inclinometer

